

# Audio Measurements Workshop

Fons Adriaensen  
Casa della Musica, Parma

Linux Audio Conference 2014  
ZKM Karlsruhe, Germany



- Techniques and tools to measure
  - \* Soundcards
  - \* Analog hardware
  - \* DSP software
- Theory
  - \* Levels, decibels, noise, calibration, . . .
- Tools
  - \* jaaa, jnoisemeter, jsignal, . . .
- Practice



- Why measure things ?
  - \* Verify your design and programming.
  - \* Have you been ripped off ?
  - \* To know limits and create a level of confidence.
  - \* Curiosity.
- **Always expect the unexpected.** It happens. If your measurements are exactly as you imagined they would be, then
  - \* Congratulations !
  - \* It's time to verify things and ask some questions.
- Audio measurements often involve a mix of electrical and acoustic units as well as purely numerical values, and conversions between them. This can be very confusing unless you have a solid grip on the basics.



- Signals
  - \* Levels, power, impedance, balancing, ...
  - \* Measurement methods.
- Decibels.
  - \* Reference levels, ...
- Acoustic units and levels.
- Noise.
  - \* Distribution, spectrum, density.
  - \* Measurement methods and standards.
  - \* Thermal noise.
  - \* Equivalent input noise.
- Understanding audio specs.
  - \* Microphones.
- Calibration.

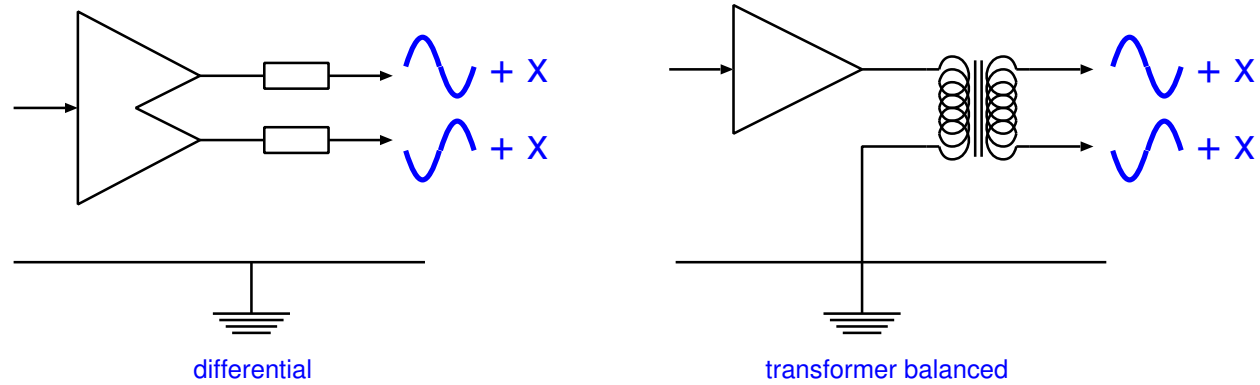
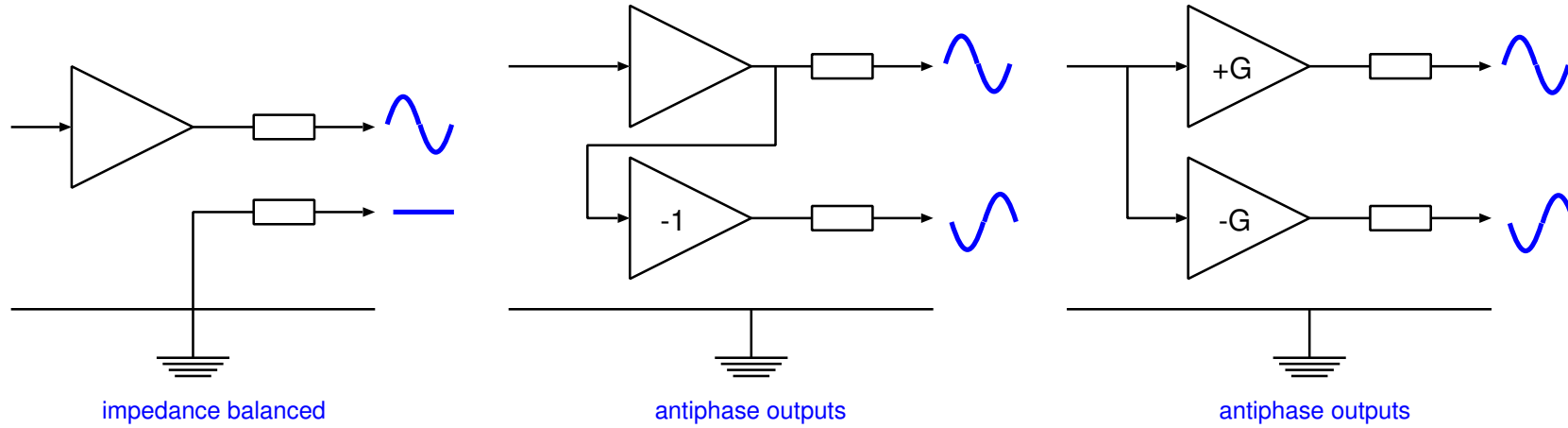


- Measured in Volts (V).
  - \* Rough levels: mics: 1 mV, consumer: 100 mV, pro: 1 V.
  - \* Current:  $i = u/Z$  (A).
  - \* Power:  $P = i * u = u^2/Z = i^2 * Z$  (W).
- Analog audio connections are almost always **voltage driven**.
  - \* Input impedance is much higher than output impedance.
  - \* Allows splitting the signal without level changes.
  - \* Exception: long analog lines (rarely used today).
- For numerical signals (no physical units), 'power' means the square of amplitude.
- The 'gain' of AD and DA converters requires some care to define without ambiguity as one side uses physical units and the other not.



- Balanced connections:
  - \* Inputs take difference of two signals, cancels interference.
  - \* Different kinds of outputs and inputs are not always compatible.
- Outputs
  - \* Impedance balanced – very common.
  - \* Antiphase outputs – different variations.
  - \* Differential – rare.
  - \* Floating – requires transformer.
- Inputs:
  - \* Differential with unbalanced impedance – very common.
  - \* Differential with balanced impedance.
  - \* Floating — requires transformer.
  - \* Common mode rejection of input defines performance.

# 6 Balanced outputs

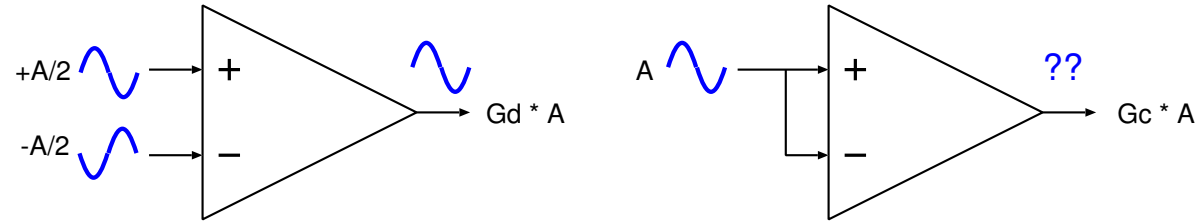




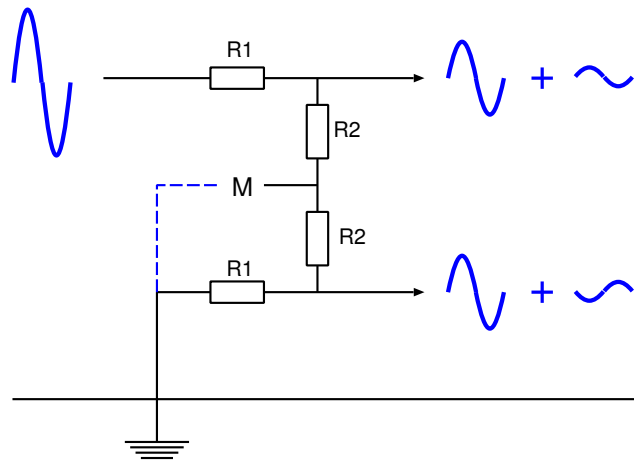
- A 'perfect' differential input ignores the common signal.
- Real-life balanced inputs are not perfect.
- The **Common Mode Rejection Ratio** indicates by how much the common signal is attenuated.
- CMRR is usually a function of frequency.
- Typical figures:
  - \* Cheap: 20...25 dB
  - \* Reasonable: 40 dB
  - \* Transformer balanced: 80...90 dB
- Common mode signals can be the source of large errors.
- Common mode input or output impedances are usually not the same as the differential impedance.



# 8 Balanced inputs: CMRR



CMRR = Common Mode Rejection Ratio =  $G_d / \text{abs}(G_c)$



Unbalanced signal with balanced attenuator.  
If M is not connected to ground the common mode signal is not attenuated.



- Defined by **filter, detector, ballistics**.
- Filter: flat, lowpass, A, C, ITU 468,...
- Detector: what is measured.
  - \* Peak or pseudo peak value.
  - \* Average of absolute value.
  - \* RMS.
- Ballistics: response to level variations.
  - \* Rise and fallback times.
  - \* Burst response, can be different from rise time.



- RMS = Root Mean Square =
  - \* The square root of the average value of the square of the signal.
  - \* The average power expressed as an amplitude.
- The RMS value is independent of the relative phases of the different frequencies in a signal.
- 'Mean' or 'average' means some form of lowpass filter:
  - \* Rectangular window.
  - \* First or second order IIR, which is an exponential window.
- AC voltages are always shown as an RMS value, even if the meter is not an RMS one. In that case the measured value is correct only when the signal is a sine wave (e.g. almost all multimeters, VU, ...)



- Logarithmic unit used to indicate **ratios**.
- 1 dB = 0.1 Bell. One Bell is a ratio of 10 to 1.
- Always a ratio of **powers** or something proportional to power.

$$10 * \log_{10} (\text{ratio of powers})$$

$$20 * \log_{10} (\text{ratio of amplitudes})$$

- Absolute measurements require a **reference value**.
- Memo trick: the 1/3 octave band frequencies: 1, 1.25, 1.6, 2, 2.5, 3.16, 4, 5, 6.3, 8, 10. Each step is 1 dB for powers or 2 dB for amplitudes.



- 0 dBm = a power of 1 mW. A standard impedance is assumed.
  - \* Audio: usually 600 ohm
  - \* RF: 50 or 75 ohm.
- 0 dBu = 0.7746 Volt, the voltage corresponding to 1 mW in 600 ohm. Quite often 'dBm' is used when 'dBu' is meant.
- 0 dBV = 1 Volt. Simple and easy. 0 dBV = +2.22 dBu.
- 0 dB FS = the amplitude of a maximum level sine wave in a digital system.

If this is RMS, and the range is  $\pm 1$ , then the actual RMS amplitude of a sine wave at 0 dB FS is not 1 but  $\sqrt{0.5} = 0.7071$ .



- **Sound Pressure Level (SPL)** is measured in Pascal (Pa).
- 0 dB SPL = an RMS sound pressure of  $2 * 10^{-5}$  Pascal.
  - \* This is the threshold of human hearing at 1 kHz.
  - \* A sound pressure of 1 Pa is +94 dB SPL.
- For electrical signals we have  $i = u/R$  and  $P = u * i = u^2/R$ .
- For acoustic signals we have  $v = p/Z$  and  $I = p * v = p^2/Z$ .
  - \*  $p$  = sound pressure (Pa)
  - \*  $v$  = particle velocity (m / s)
  - \*  $Z$  = acoustic impedance (N s / m<sup>3</sup>)
  - \*  $I$  = acoustic intensity (W / m<sup>2</sup>)
- The acoustic impedance of air at 20 degrees Celsius is 413.3 N s / m<sup>3</sup>.
- Note: electrical current and power are scalars, but particale velocity and intensity are **vectors** – they have a direction.



We have a sound source with an acoustic power of 1 Watt.  
What is the SPL at a distance of 3 meters ?

- The power is spread over the surface of a sphere with radius 3 m.
- This surface is  $4 * \pi * R^2$  or 113.1 m<sup>2</sup>.
- So the intensity  $I$  is 1 W / 113.1 m<sup>2</sup>, or 8.842e-3 W / m<sup>2</sup>.
- Now  $I = p^2 / Z$ , or  $p = \sqrt{I * Z}$ .
- Hence the pressure is sqrt (8.842e-3 \* 413.3) = 1.91 Pa.
- 1.91 Pa = 20 \* log10 (1.91) + 94 = 99.6 dB SPL.



We have an SPL of 1 Pa (+94 dB) and a microphone with a membrane of 5 cm<sup>2</sup> (1 inch diameter). How much acoustic power does the mic receive ?

- $I = p^2/Z = 1 / 413.3 \text{ W} / \text{m}^2$ .
- $P = I * S$  ( $S$  = surface area) so
- Power =  $5\text{e-}4 / 413.3 = 1.21\text{e-}6$  Watt
- This should be compared to thermal noise power (later).



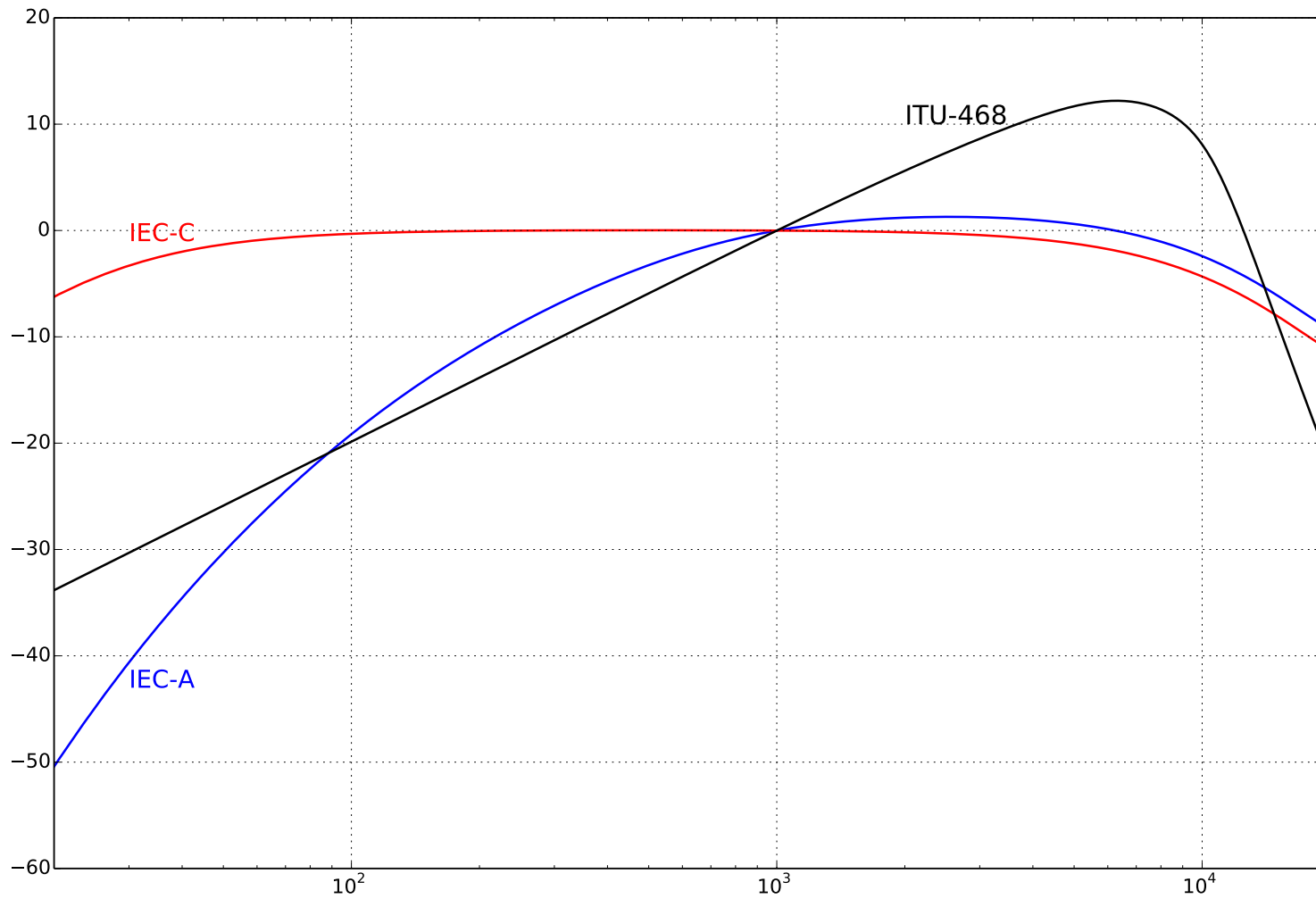


- A random or pseudo random signal.
- Probabilty distribution
  - Rectangular, Gaussian, . . .
  - We normally don't hear differences in distribution.
  - A sum of many independent random values will have a Gaussian distribution.
  - Filtered noise tends to have a Gaussian distribution.
- Density spectrum
  - Noise density  $N_0 =$  power per Hz.
  - At any particular frequency there is zero power.
  - White noise: constant density.  $P = B * N_0$
  - Pink noise: density proportional to  $1/F$ .
  - White and pink noise must be limited in bandwidth, or they would have either infinite power or zero density.



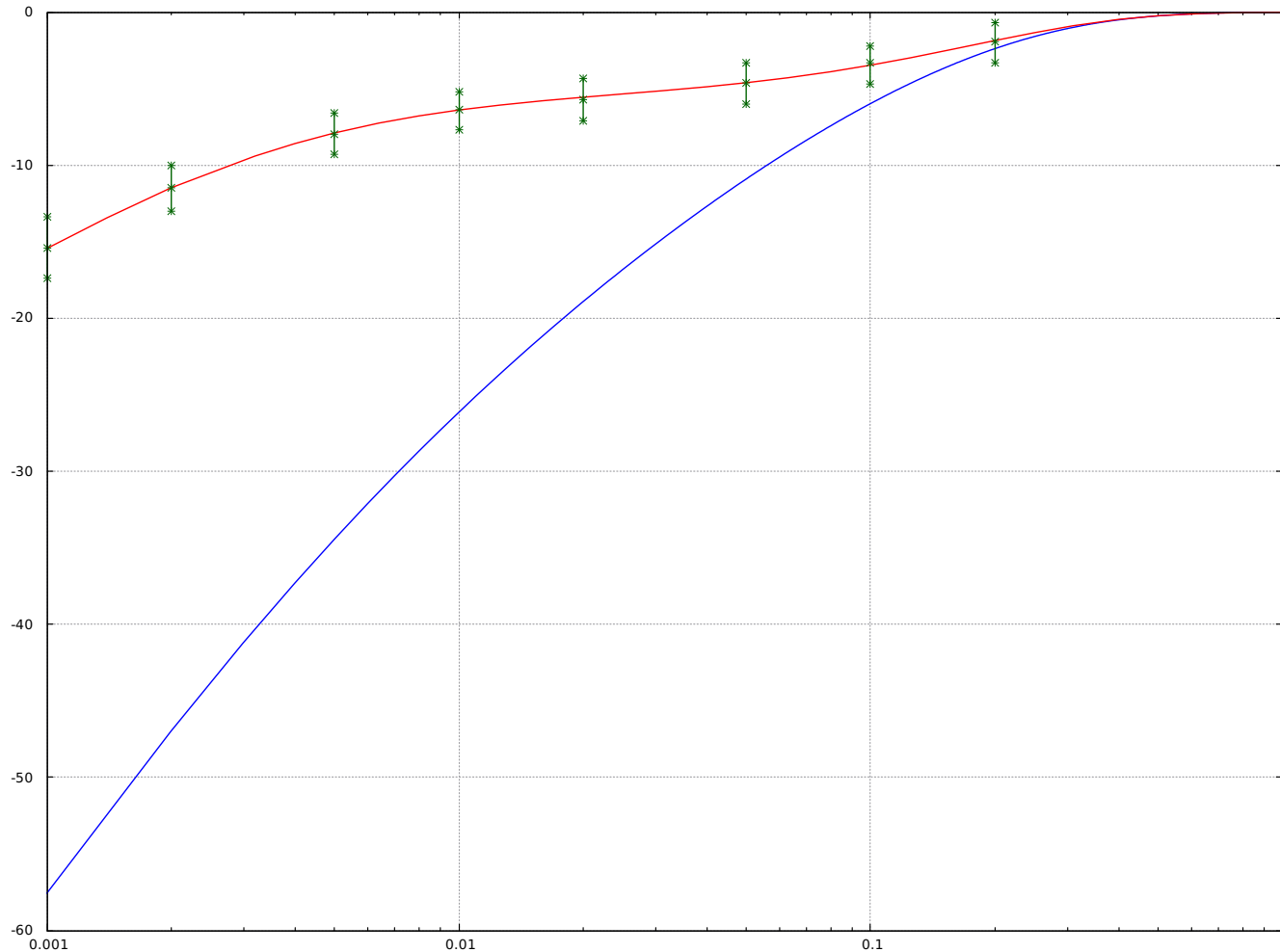
- Requires either a true RMS meter, or one that is very tightly specified.
- Meter ballistics must be slow to have a stable value.
- Usually weighted using a standard frequency response.
- If no other filter is used the bandwidth must be defined.
- A number without specified measurement method is **meaningless**.
- **Standard methods**
  - \* 20 kHz equivalent bandwidth + RMS    dB(20kHz)
  - \* IEC-A filter + RMS    dB(A)
  - \* IEC-C filter + RMS    dB(C).
  - \* ITU468 filter and pseudo-peak meter    dB(ITU468)
- dB(A) is typically 1.9 dB lower than 20 kHz equivalent BW.

# 18 Standard noise weighting filters





- The 'best' method for measuring mics and mic preamps.
- Originally developed to measure noise on long analog audio lines.
- Filter emphasizes the most critical frequency region.
- **Pseudo-peak** meter having
  - \* a very slow response, as required for noise,
  - \* but very sensitive to short bursts and impulsive noise  
e.g. from a switching power supply or digital electronics.
- Typical measured values are around 9 dB higher than A-weighted.
- Used mostly in Europe, Americans use dB(A) because it looks better.
- The 'Dolby variant' uses lower gain and an average meter, but it is **not** and official standard.



— Step response and — burst response of the ITU468 meter.  
— Burst response specification.



- Aka Johnson or Nyquist noise. Generated by thermal motion of electric charge carriers in all conductors.
- Essentially white (up to very high frequencies).
- Power density is proportional to absolute temperature.
- Power  $P = 4kBT$ 
  - $k$  = Boltzmann's constant,  $1.381 * 10^{-23}$  Joule / Kelvin
  - $B$  = Bandwidth in Hz
  - $T$  = Temperature in Kelvin.
- At room temperature and a BW of 20 kHz this means
  - \* Power  $P = 3.24 * 10^{-16}$  Watt
  - \* RMS voltage  $v_n = 18 \text{ nV} * \sqrt{R}$
  - \* For  $R = 150 \text{ ohm}$   $v_n$  is  $220 \text{ nV} = -133.1 \text{ dBV} = -130.9 \text{ dBu}$
- Other noise sources are present in real-life electronics, but mostly at low frequencies (below 100 Hz).



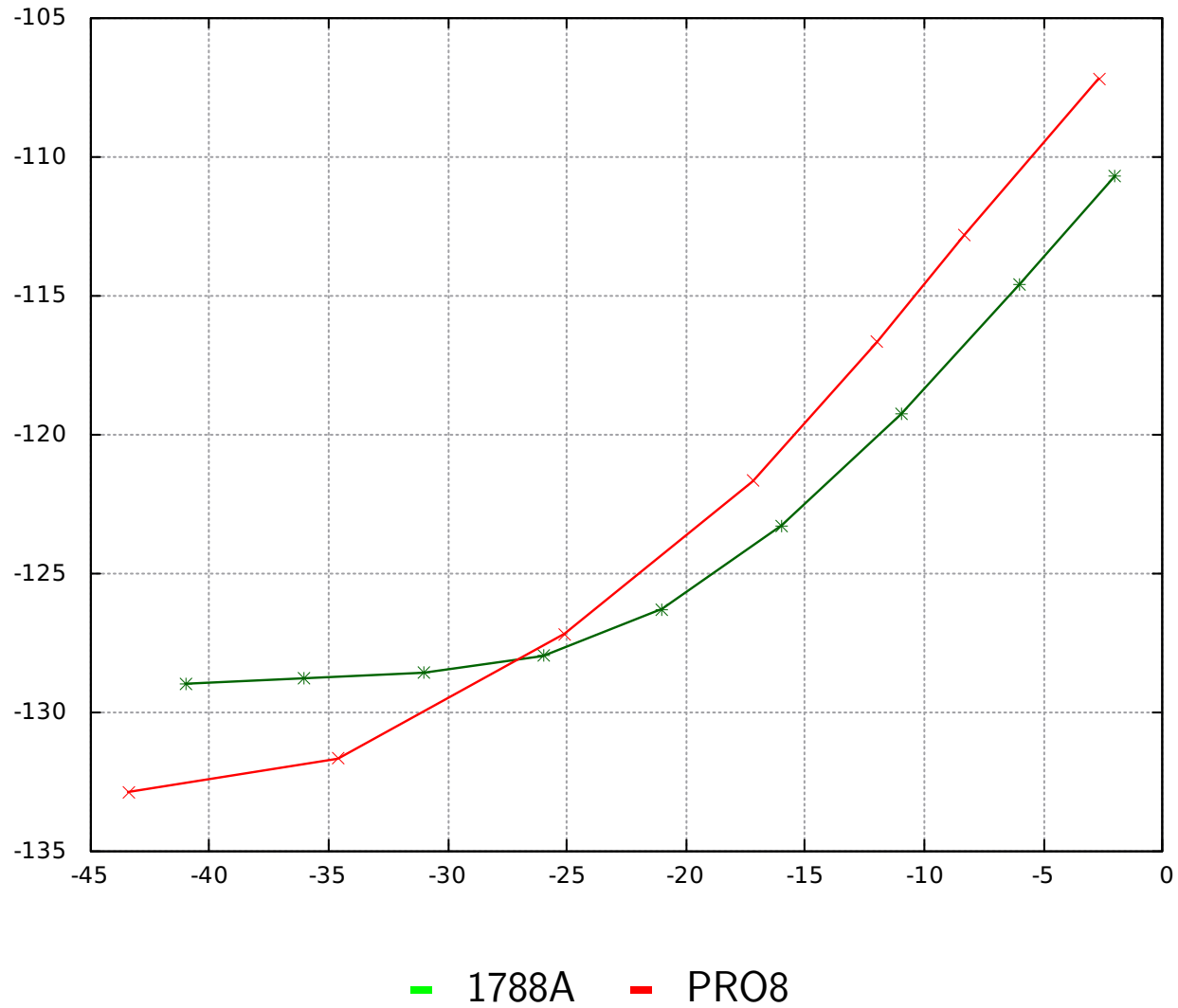
- All components of an electronic circuit generate thermal noise.
- It is always possible to model an amplifier or an AD converter as a 'perfect' noiseless one with a single noise source at the input.
- EIN = noise measured at the output / gain.
- The noise generated near the input will contribute most, as it is amplified.
- For a well-designed amplifier, EIN will be independent of gain as long as the gain is high.
- Other low level signals may be present (e.g. 50 or 60 Hz and harmonics).

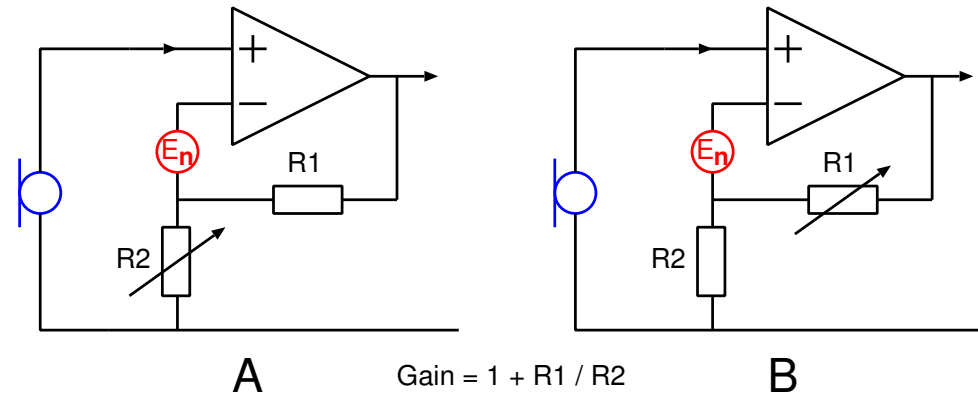


- The EIN of mic preamps is usually measured with at maximum gain with a source impedance of 150 ohm.
- Some preamps can be a dB or so less noisy when measured with a lower impedance source or short-circuit.
- The EIN can be compared to the self-noise of the mic to find out which generates most noise.
- Some example values:  
note: 150 ohm generates -135 dBV(A)

Preamp	EIN dBV(A)
RME Micstasy	-131.2
Aphex 1788A	-129.0
Sony SPR-V110	-133.5
Behringer PRO8	-132.9
Edirol UA5	-122.2







$E_n$  = thermal noise due to  $R1 \parallel R2$   
 + amplifier input noise voltage  
 + amplifier input noise current  $\times R1 \parallel R2$

- Except at low gains,  $R2 \ll R1$  and  $R1 \parallel R2 \simeq R2$ .
- **A**: For lower gain  $R2$  increases and  $E_n$  increases.
- **B**:  $R2$  is fixed and  $E_n$  is almost constant.



- Very few manufacturers of 'prosumer' HW provide specs that have any real meaning, or that can be compared to others. This is of course entirely intentional.
- Example: M-Audio 'octane technology' mic inputs. All you are supposed to know about those is: signal/noise ratio = 97 dB.
- Specs that don't define measurement conditions are completely useless.
- Even levels are ambiguous. In pro audio +4 dBu is the 'work level', peak level is at least 15 dB higher. Yet cards that can be switched between a peak output of -10 dBu and +4 dBu are presented as supporting pro signal levels.
- Most equipment reviews that can be found on the web don't verify or even mention any technical specs. They are at best useless, if not completely bogus (the author got a free sample).
- If specs are not completely unambiguous, the only sane reaction is to mistrust them, and spend your money on something else.



- When recording low-level signal (acoustic instruments, voice, natural sounds, ...) the combination of microphone and preamp will determine performance.
- The important values are [sensitivity](#) and [self-noise](#).
- Sensitivity is usually specified as the output for 1 Pa (+94 dB) SPL.
- Self noise is the acoustic level corresponding to the noise generated by the microphone, usually dB(A) or dB(ITU468).
- Comparing specs for dynamic and condensor mics may require some calculations.



- Sensitivity and impedance are specified. Self noise is thermal noise corresponding to impedance. Given sensitivity, this can be converted to SPL.
- Example: Beyerdynamic M160: 1.0 mV/Pa, 200 ohm.  
1.0 mV = -60 dBV.  
Thermal noise is  $18 \text{ nV} * \sqrt{200} = 254 \text{ nV} = -131.9 \text{ dBV}$ .  
Self noise is  $-131.9 + 94 + 60 \text{ dB} = 22.1 \text{ dB} = 20.2 \text{ dB(A)}$ .
- Example: Shure SM58: 1.85 mV/Pa, 300 ohm.  
1.85 mV = -54.7 dBV  
Thermal noise is  $18 \text{ nV} * \sqrt{300} = 312 \text{ nV} = -130.1 \text{ dBV}$ .  
Self noise is  $-130.1 + 94 + 54.7 \text{ dB} = 18.6 \text{ dB} = 16.7 \text{ dB(A)}$ .
- To use the full dynamic range a preamp with an EIN better than -130 dBV is required.



- Sensitivity and self noise and/or S/N ratio are specified. S/N ratio is relative to 1 Pa, so self noise + S/N ratio = +94 dB. Given sensitivity, either can be converted to noise voltage.
- Example: Neumann KM184: 15 mV/Pa, self noise 13 dB(A).  
 $15 \text{ mV} = -36.5 \text{ dBV}$ .  
 $\text{Noise voltage} = 13 - 36.5 - 94 \text{ dBV(A)} = -117.5 \text{ dBV(A)}$ .
- Example: Neumann TLM103: 23 mV/Pa, self noise 7 dB(A).  
 $23 \text{ mV} = -32.8 \text{ dBV}$ .  
 $\text{Noise voltage} = 7 - 32.8 - 94 \text{ dBV(A)} = -119.8 \text{ dBV(A)}$ .
- A preamp with an EIN of around -122 dBV(A) or better will allow the full dynamic range of these mics to be used.



---

Questions and answers, hands-on practice.